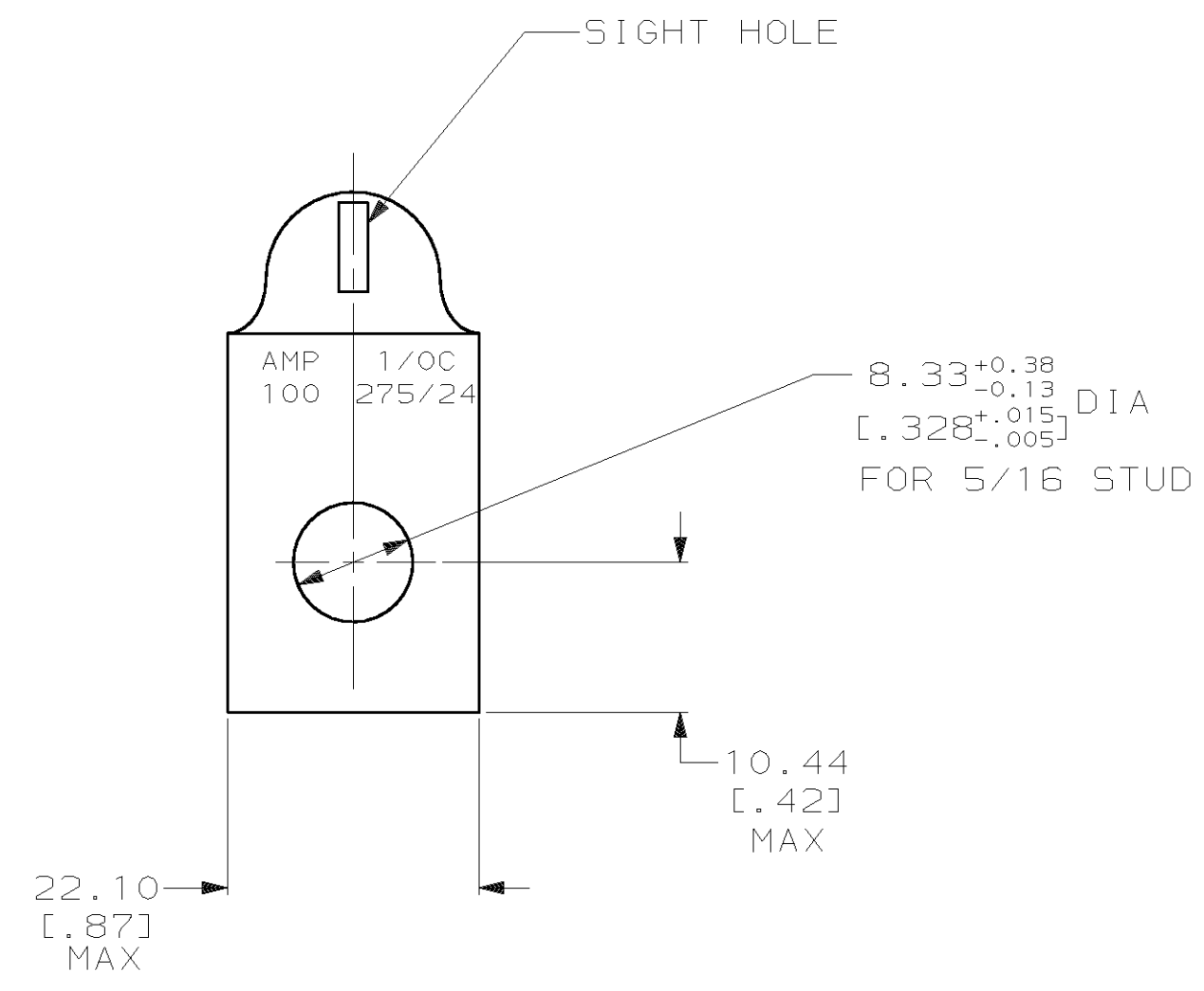
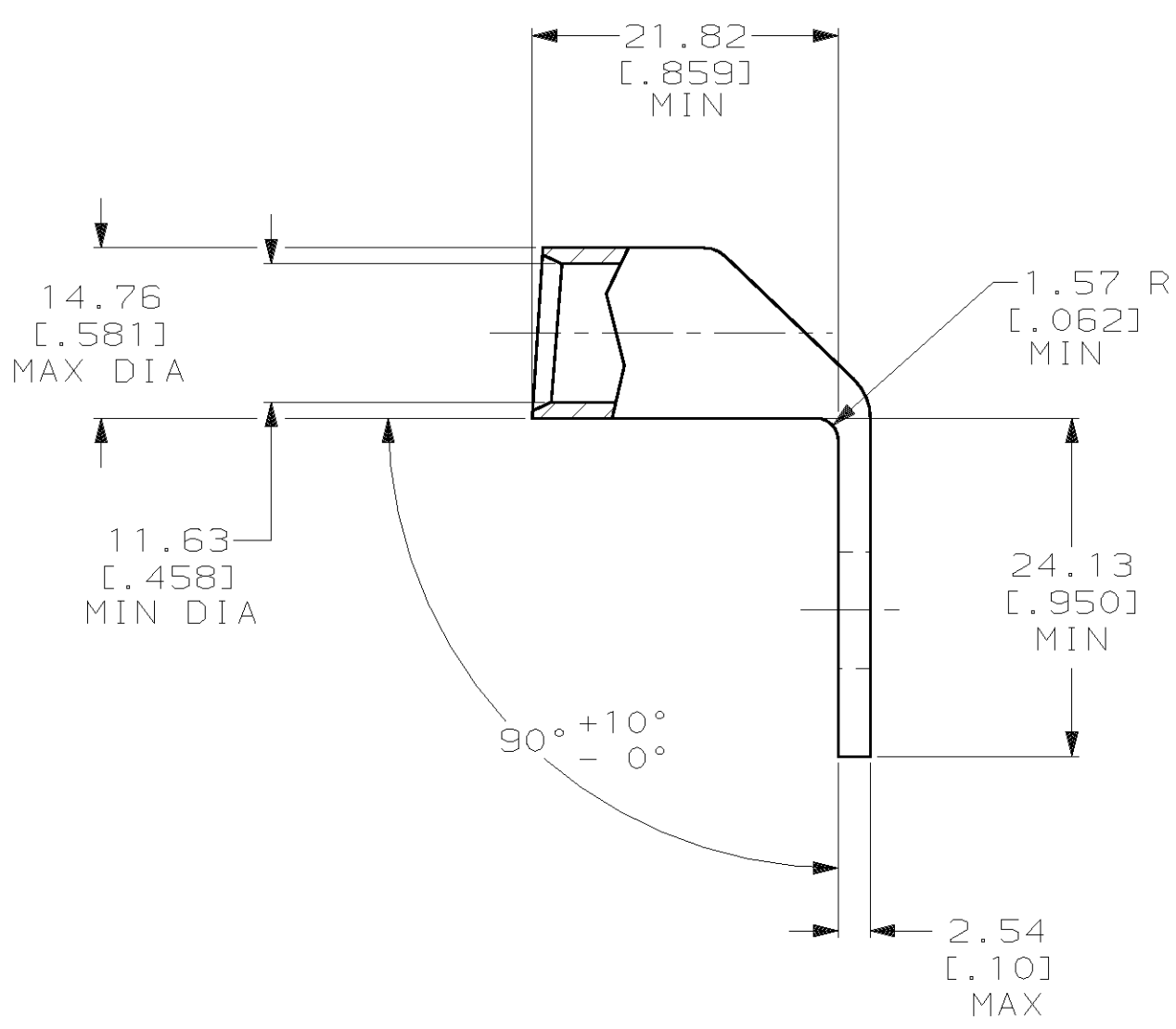


THIS DRAWING IS UNPUBLISHED. RELEASED FOR PUBLICATION, 19 .
 © COPYRIGHT 19 BY AMP INCORPORATED. ALL INTERNATIONAL RIGHTS RESERVED.

LOC		DIST		P		F		ZONE		LTR		REVISIONS		DATE	APPD
G		86												07OCT02	JR/MS
												D	REV PER 0G3A-0561-01		

△ TIN PL 0.00381 [.000150] MIN THK PER MIL-T-10727



325320

325320

PART NO

DO NOT SCALE PRINT. UNLESS SPECIFIED DIMENSIONS IN mm [INCHES] TOLERANCES ON : 2 PLC DEC ± 0.51 [.020] 3 PLC DEC ± - ANGLES ± -	DR 03/09/90 DK SCHRUM	AMP INCORPORATED Harrisburg, Pa. 17105
	CHK 31AUG94 MS FEHER	
MATERIAL ANNEALED COPPER ASTM B-75	APPD 31AUG94 WJ VOCKROTH	NAME
	APPD 31AUG94 TL SHUTTER	TERMINAL, AMPPOWER™ WIRE SIZE: 1/0 AWG
FINISH △	APPLICATION SPEC -	SIZE C
	WEIGHT -	CAGE CODE 00779
		DRAWING NO 325320
		SCALE 2:1
		SHEET 1 OF 1

METRIC