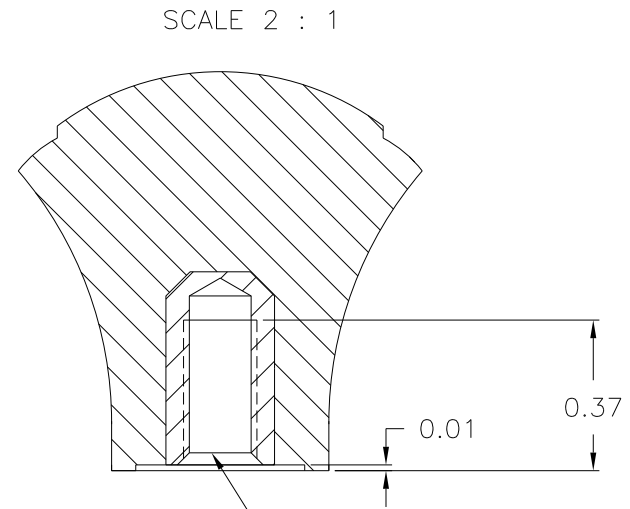
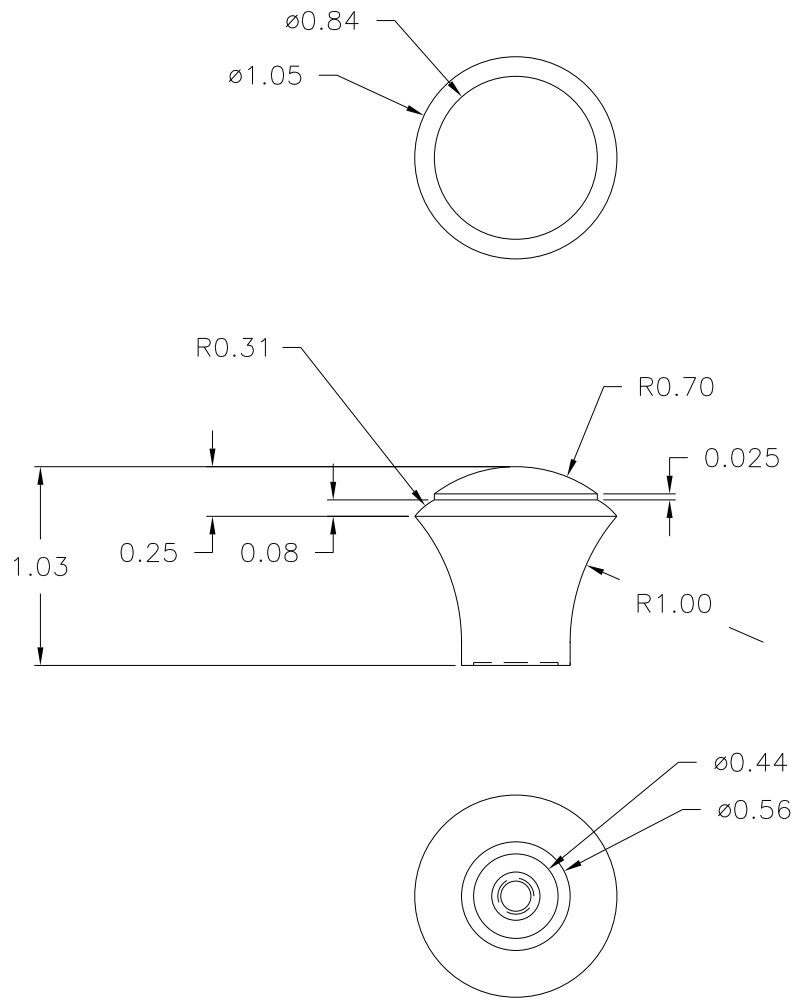


PART NAME: KNOB      SCALE: 1:1      DATE: 9/20/49      DR. BY JWC

THIS DRAWING IS THE PROPERTY OF DAVIES MOLDING COMPANY, IS SUBMITTED SOLELY AS A DESIGN OR ENGINEERING PROJECT. WE ACCEPT NO RESPONSIBILITY WHATSOEVER FOR THE PRACTICAL APPLICATION OF THE PIECES MADE TO THIS DESIGN.



P/N	3004SM
M NO.	3004
CAVITY	3004
PLUNGER	3004
SHIM	1
PINS	3004-8
INSERT	I0185



# 10-32 UNF-2B THREAD.  
I0185, H.H. BRASS

MATERIAL: G.P. PHENOLIC (B11)  
COLOR: BLACK

TOLERANCES: UNLESS OTHERWISE SPECIFIED	DO NOT SCALE DRAWING			
DECIMALS: X.XXX ± .005 X.XX  ± .015	MM: X.XX ± 0.15MM X.X  ± 0.4MM	-	CAD/REDRAWN	HD 11/24/97
FRACTIONS ± 1/64	ANG. ± 1°	CHANGES		