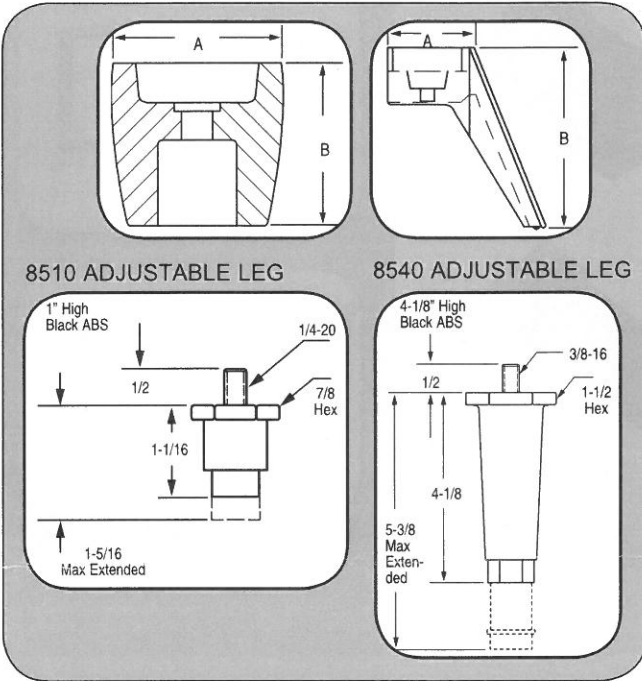


Feet and Levelers

Our standard line of appliance feet are used in hundreds of ways by thousands of users. Most can be made in heat resistant phenolic to meet high heat requirements. The two exceptions are those with adjustable legs, which are thermoplastic and provide a unique leveling capability by adjusting up to 1-1/4".



Material Type	Part No.	A	B	Tapped Thread					Plain Molded Hole							
				8-32	10-24	10-32	1/4-20	1/4-28	0.150	0.156	0.168	0.187	0.190	0.196	0.218	
TS	4000	7/8	5/8	▲	■	■	▲	▲	■	▲	■	▲	■	▲	▲	▲
TS	4005	3/4	5/8	▲	▲	▲	▲	▲	▲	▲	■	▲	▲	▲	▲	▲
TS	4010	3/4	7/8	▲	▲	▲	▲	▲	▲	■	▲	▲	▲	▲	▲	▲
TS	4020	7/8	7/8	▲	■	▲	■	▲	■	▲	▲	▲	■	▲	▲	▲
TS	4030	1	1 1/2	▲	▲	▲	▲	▲	▲	▲	▲	▲	■	■	▲	▲
TS	4040	1	2	▲	■	▲	▲	▲	▲	▲	▲	▲	▲	▲	■	■
TS	4050	7/8	2	▲	▲	▲	▲	▲	▲	▲	▲	■	▲	▲	▲	▲
TS	4060	7/8	1 1/2	▲	▲	▲	▲	▲	▲	▲	▲	▲	■	▲	▲	▲
TS	4070	7/8	2	▲	▲	▲	▲	▲	▲	▲	▲	▲	■	▲	▲	▲
TS	4080	7/8	1 3/4	▲	▲	▲	▲	▲	▲	▲	▲	▲	■	▲	▲	▲

TP 8510†
 TP 8540†
 ■ Currently Manufacture/Tooled
 ▲ Could Manufacture/Requires Tooling
 TS Thermoset
 TP Thermoplastic
 † See Line Drawing above