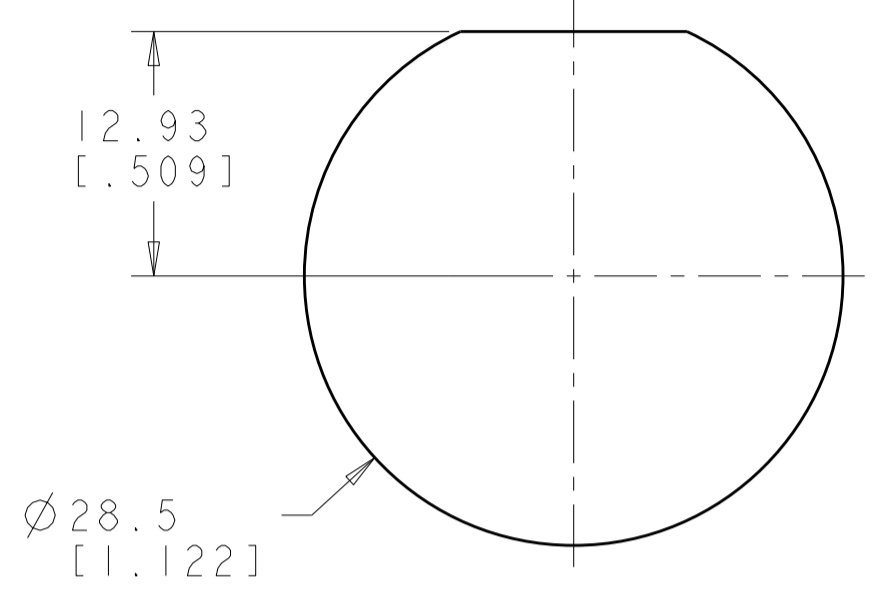
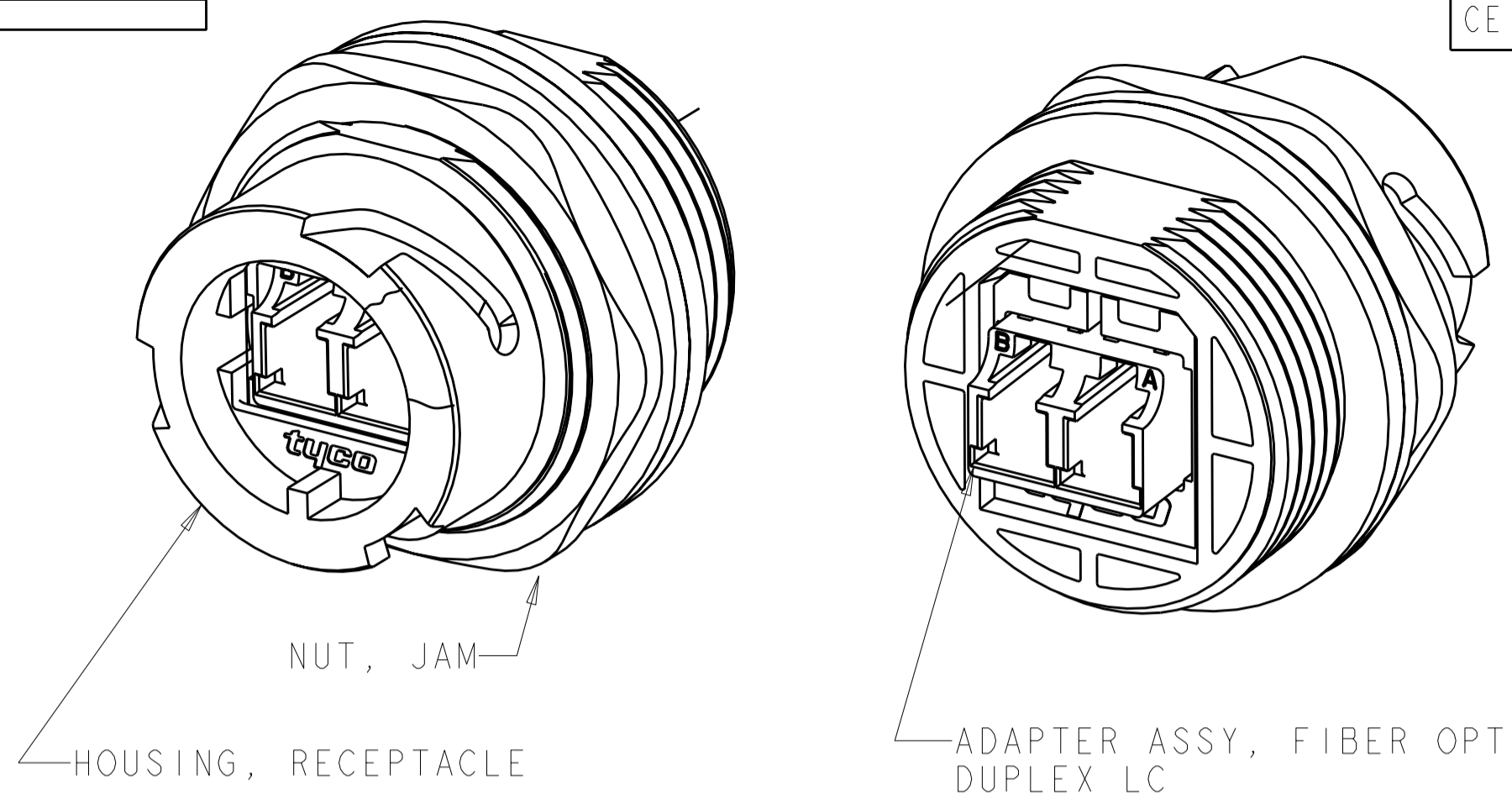
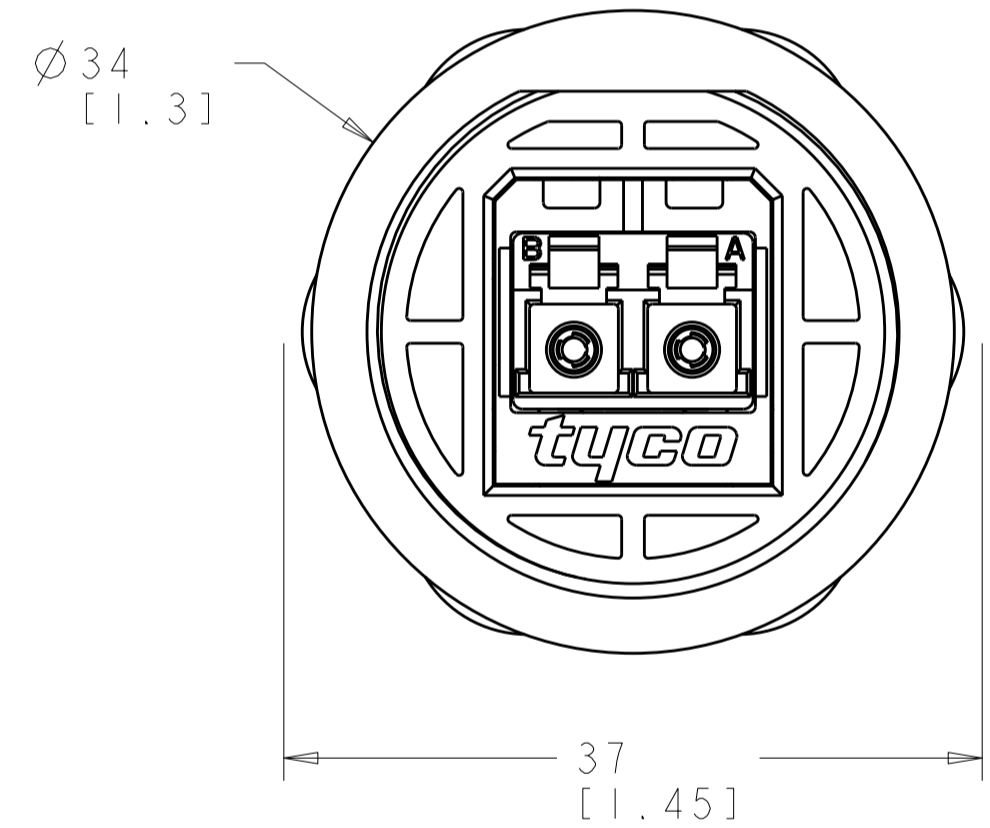
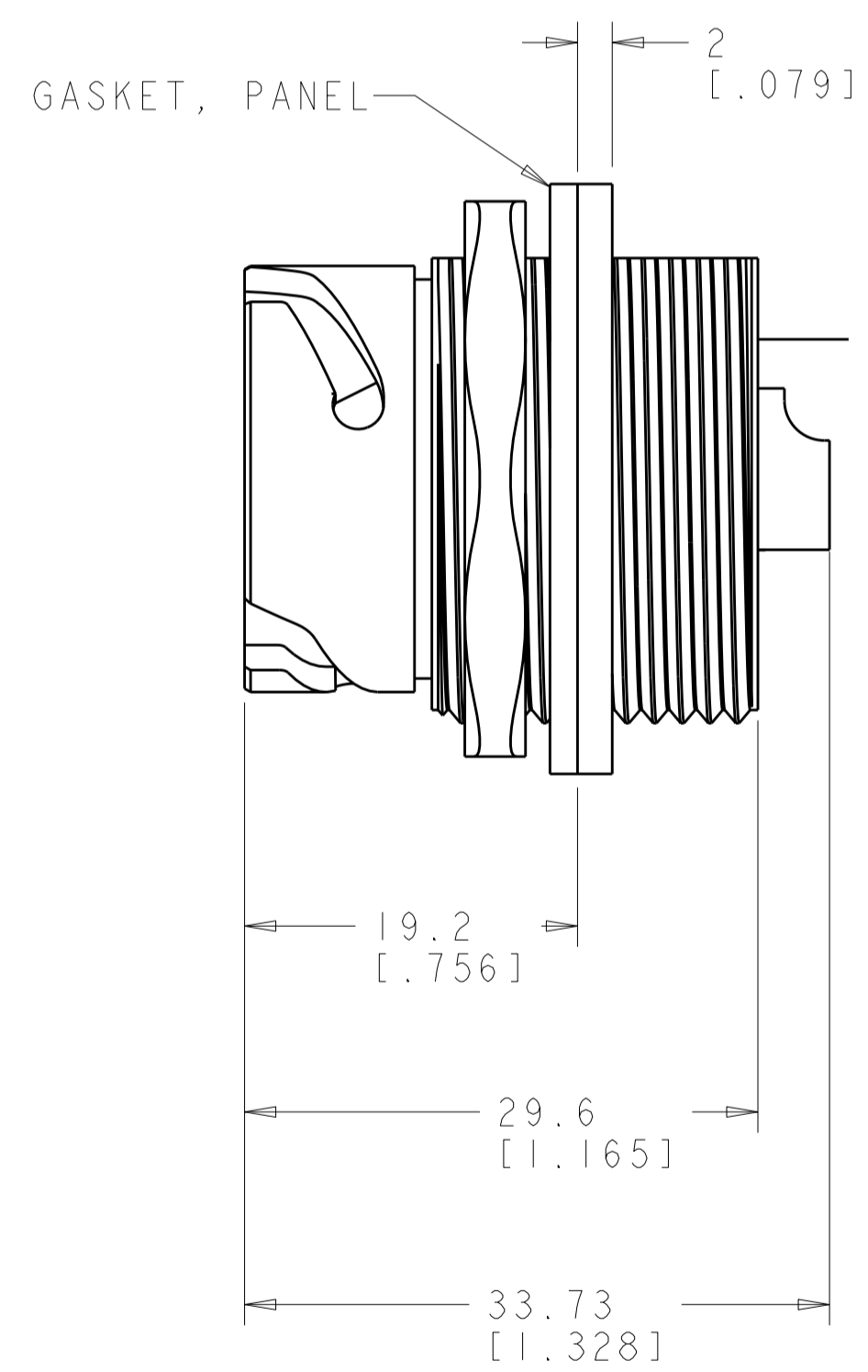
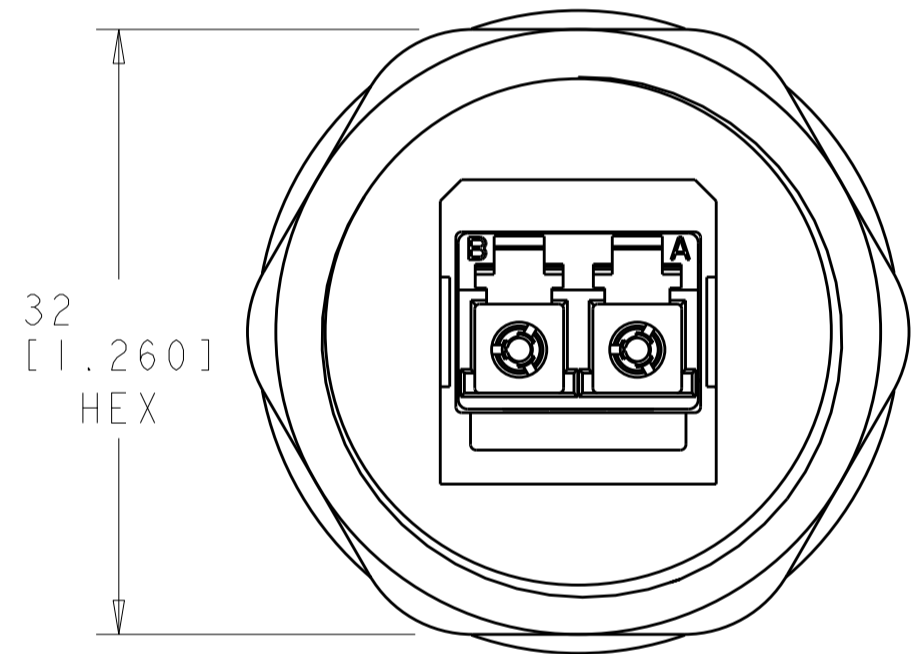


THIS DRAWING IS UNPUBLISHED. RELEASED FOR PUBLICATION 20
 © COPYRIGHT 20 BY TYCO ELECTRONICS CORPORATION. ALL RIGHTS RESERVED.

LOC	DIST	REVISIONS			
P	LTR	DESCRIPTION	DATE	DWN	APVD
CE	00	A	REL TO ACTIVE PER ECR-08-029127	IDEC2008	DDE DDE



RECOMMENDED PANEL CUT-OUT
 MAX PANEL THICKNESS 3.2mm



MATERIAL:
 HOUSING, RECEPTACLE: PBT, COLOR: BLACK*
 NUT, PANEL: BRASS, Ni PLATED
 GASKET: SILICONE, COLOR: RED/ORANGE

LC DUPLEX ADAPTER ASSY:
 HOUSING: PEI, COLOR: MM BEIGE, SM BLUE*
 PROTECTIVE COVERS: TPE, COLOR: BLACK*
 ALIGNMENT SLEEVES: MM METAL, SM CERAMIC

* UL 94 V-0 RATED AT QUALIFYING THICKNESS.

- ADAPTER PROTECTIVE COVERS ARE INCLUDED; NOT SHOWN.
- ADAPTER SEALED PROTECTIVE CAP W/ TETHER IS ALSO AVAILABLE, P/N 1918177-1.

SINGLEMODE	1828619-2
MULTIMODE	1828619-1
DESCRIPTION	PART NO

THIS DRAWING IS A CONTROLLED DOCUMENT FOR TYCO ELECTRONICS CORPORATION. IT IS SUBJECT TO CHANGE AND THE CONTROLLING ENGINEERING ORGANIZATION SHOULD BE CONTACTED FOR THE LATEST REVISION.		DWN D. ERDMAN 19MAY2005	Tyco Electronics Harrisburg, PA 17105-3608	
DIMENSIONS: mm [IN]		CHK M. GURRERI 19MAY2005	NAME KIT, RECEPTACLE, INDUSTRIAL DUPLEX LC ODVA	
TOLERANCES UNLESS OTHERWISE SPECIFIED:		APVD D. BAECHTLE 19MAY2005	RESTRICTED TO	
0 PLC ±0.1		PRODUCT SPEC	SIZE CAGE CODE DRAWING NO	
1 PLC ±0.1		APPLICATION SPEC	A200779C-1828619	
2 PLC ±0.1		WEIGHT	SCALE 5:2 SHEET 1 OF 1 REV A	
3 PLC ±		MATERIAL		
4 PLC ±		CUSTOMER DRAWING		
ANGLES ±				
FINISH ±				