

4

3

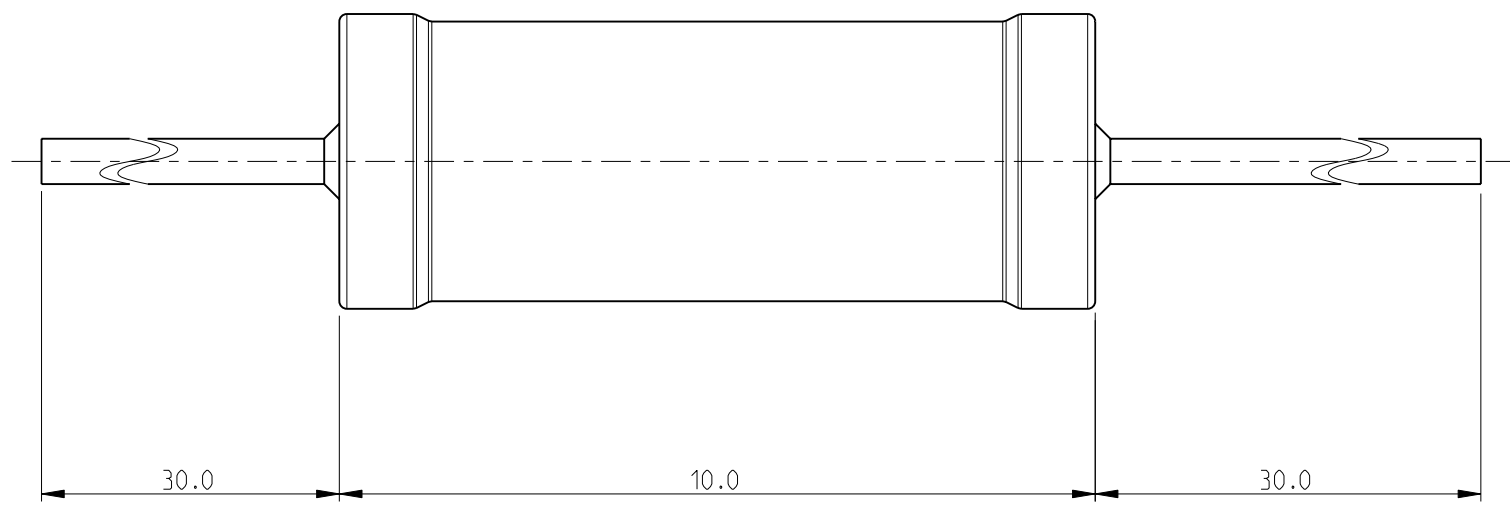
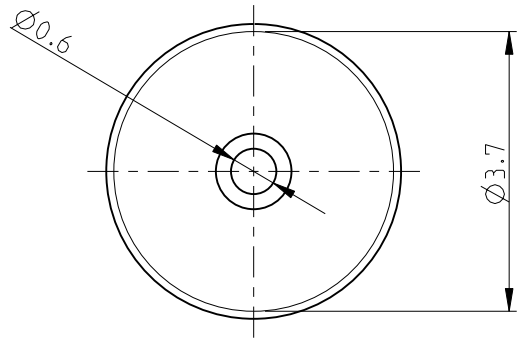
2

1

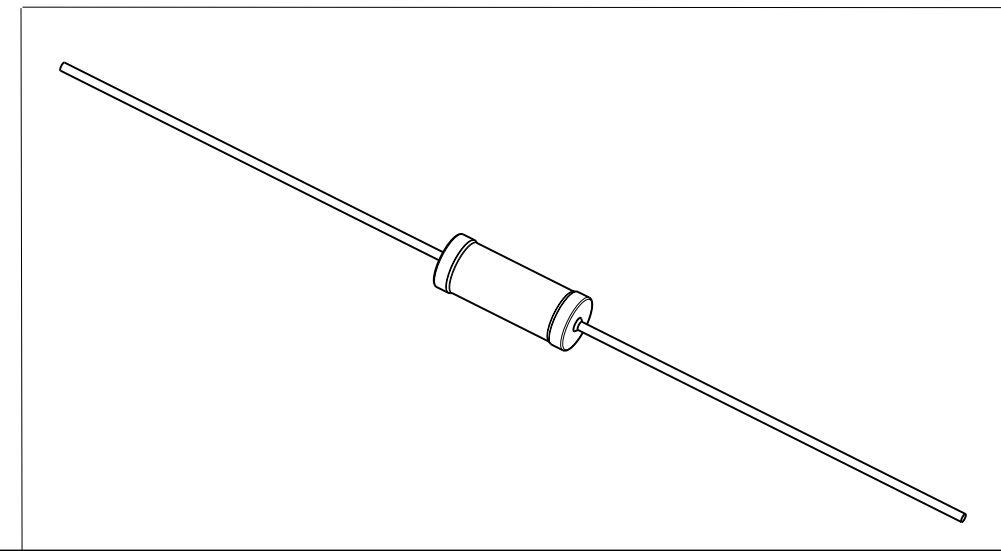
THIS DRAWING IS UNPUBLISHED. RELEASED FOR PUBLICATION 2009
 © COPYRIGHT 2009 BY TYCO ELECTRONICS CORPORATION. ALL RIGHTS RESERVED.

LOC	DIST	REVISIONS			
P	LTR	DESCRIPTION	DATE	DWN	APVD
E	B	BA	NEW RELEASE	18 JUNE 2010	PT St.P

FOR FURTHER INFORMATION SEE DATA SHEET FOR
 SERIES HOLCO, AXIAL LEADED PRECISION RESISTORS



RoHS Compliant



<small>THIS DRAWING IS A CONTROLLED DOCUMENT FOR TYCO ELECTRONICS CORPORATION IT IS SUBJECT TO CHANGE AND THE CONTROLLING ENGINEERING ORGANIZATION SHOULD BE CONTACTED FOR THE LATEST REVISION.</small>		DWN 18 JUNE 2010 PARUSURAM.T	Tyco Electronics Corporation Dorcan, Swindon, SN3 5HH	
DIMENSIONS: mm		CHK 18 JUNE 2010 ALLAN.P	NAME AXIAL LEADED PRECISION RESISTORS SERIES HOLCO H4	
		APVD 18 JUNE 2010 STEPHEN.P	PRODUCT SPEC -	RESTRICTED TO -
MATERIAL -		APPLICATION SPEC -	SIZE A3 CAGE CODE 00779 DRAWING NO. C-1879660	SCALE 10:1 SHEET 1 OF 1 REV BA
FINISH -		WEIGHT -	CUSTOMER DRAWING	