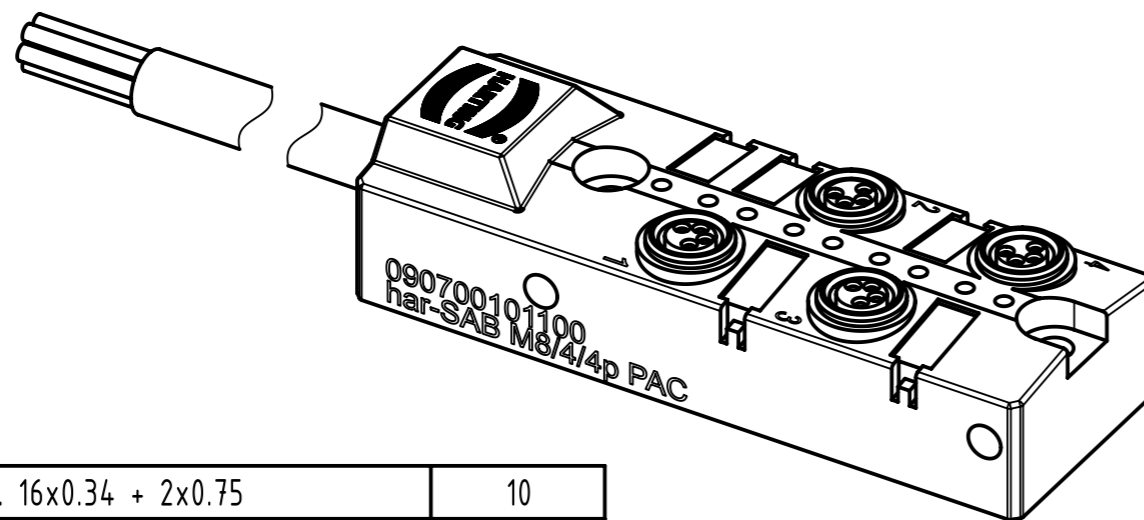
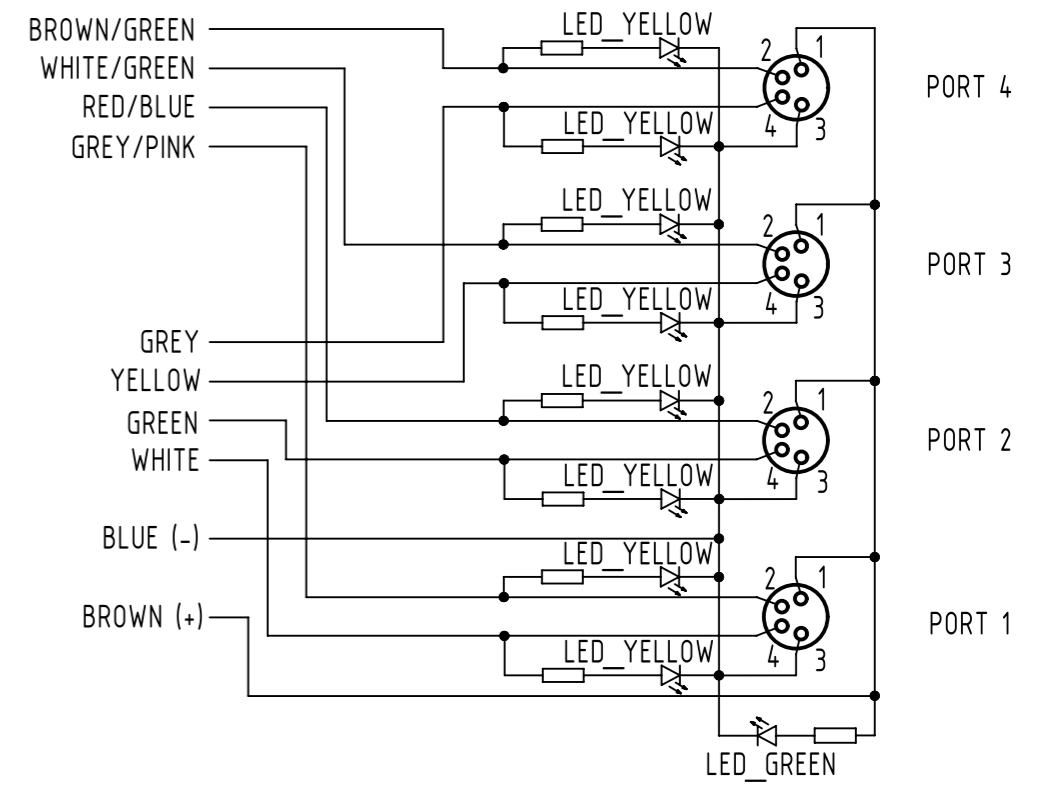


Loading plan



- Protection level: IP 67
- Temperature range: -25°C...+80°C

Electrical data:
-Rated voltage: 15-30V DC
-Nominal: 2 A per Contact
-Current: 6 A max total

PUR, max. 16x0.34 + 2x0.75	10
Type of cable	Dim. a[m]

	All rights reserved Department HCS - RO	Created by MUNTEANV	Inspected by POPESCU	Standardisation AVRAM	Date 2017-04-24	State Final Release
	Title har-SAB M8/4/4p PAC					Doc-Key / ECM-Nr. 100689718/UGD/000/C 500000118447
HARTING Customised Solutions D-32427 Minden		Type TB	Number 090700101100		Rev. C	Page 1/1