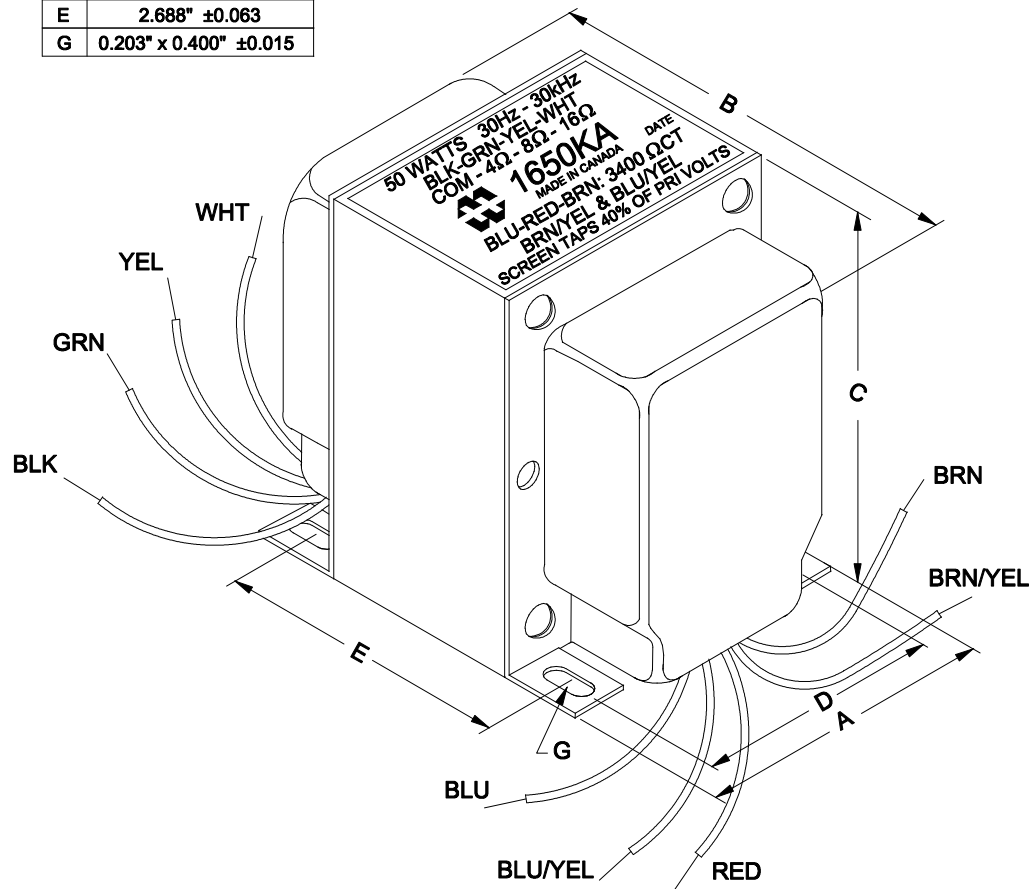
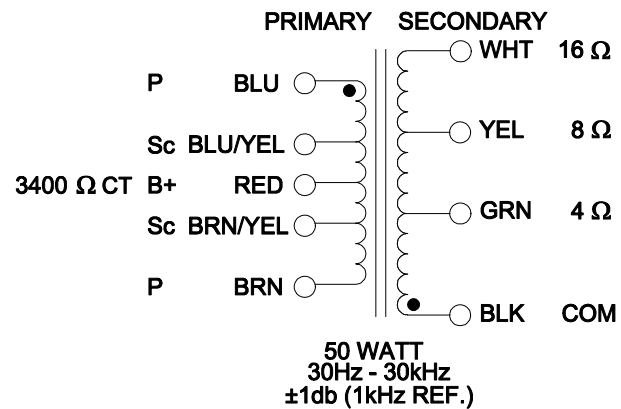


DIMENSIONS:	
A	3.125" ±0.063
B	3.936" ±0.125
C	3.796" ±0.063
D	2.500" ±0.063
E	2.688" ±0.063
G	0.203" x 0.400" ±0.015



NOTE: ALL LEADS 8" OUT MIN.



ELECTRICAL DATA:		
TESTS	CONDITIONS	ACCEPTANCE CRITERIA
lex	@ 240V, 60Hz, BLU - BRN	5mA Max.
Sec. N.L.V	@ 240V, 60Hz, BLU - BRN	
	BLU - BLU/YEL =	71.01V ±2%
	BLU - RED = RED - BRN =	120.0V ±2%
	BLU - BRN/YEL =	169.0V ±2%
	BLK - GRN =	8.237V ±2%
	BLK - YEL =	11.64V ±2%
	BLK - WHT =	16.47V ±2%
DCR	@ 20°C, BLU - RED =	32.74 Ω ±20%
	@ 20°C, RED - BRN =	36.71 Ω ±20%
	@ 20°C, BLK - GRN =	0.306 Ω ±20%
	@ 20°C, BLK - YEL =	0.432 Ω ±20%
	@ 20°C, BLK - WHT =	0.540 Ω ±20%
HIPOT	PRIMARY - SECONDARY	2000V, 60Hz, 1 SEC

REV.#	REVISION	DATE	HAMMOND ELECTRONIC DIVISION		52 RANKIN PLACE, WATERLOO, ONTARIO, N2J 3Z5		PH # (519) 886-6181
0	RELEASED.	08/08/13	MANUFACTURING™				FAX # (519) 886-9540
			DWG. BY: C. ILIE	CHK'D BY:	TITLE: 1650KA	DWG. NO.	
			DATE: 08/08/13	APP'D. BY:	TRANSFORMER	1650KA	
				DIMENSIONS: IN(X) MM( )			