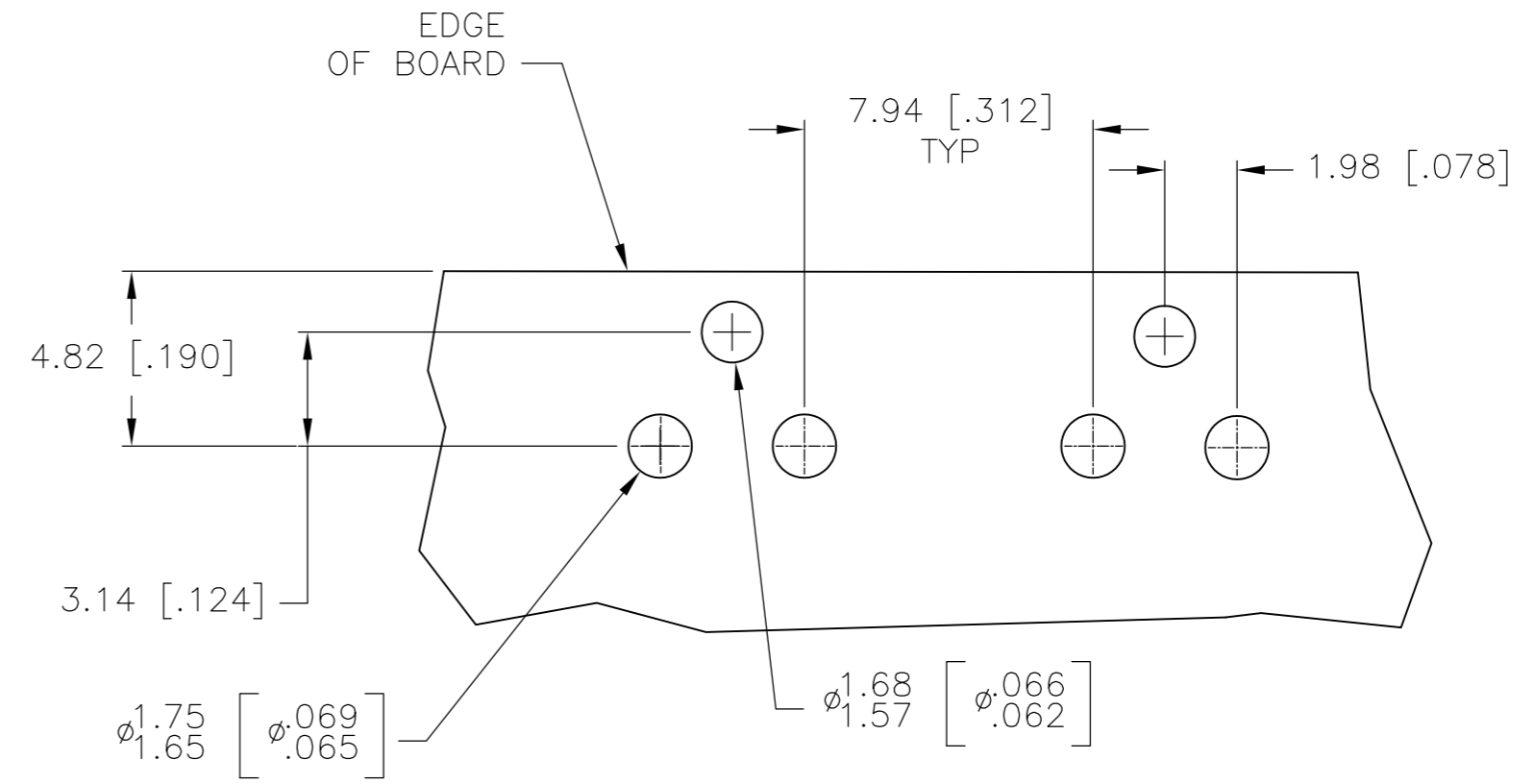
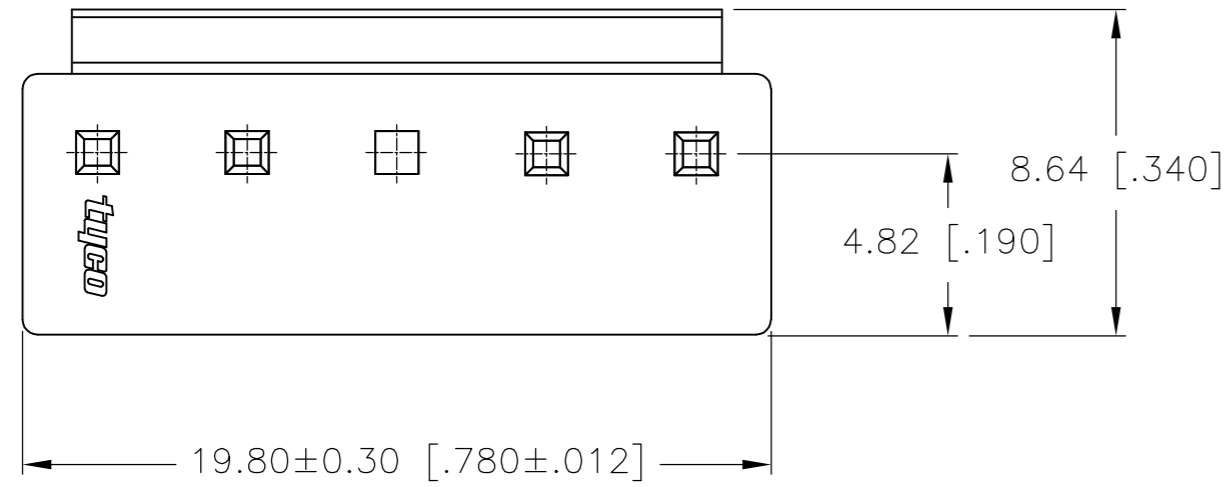
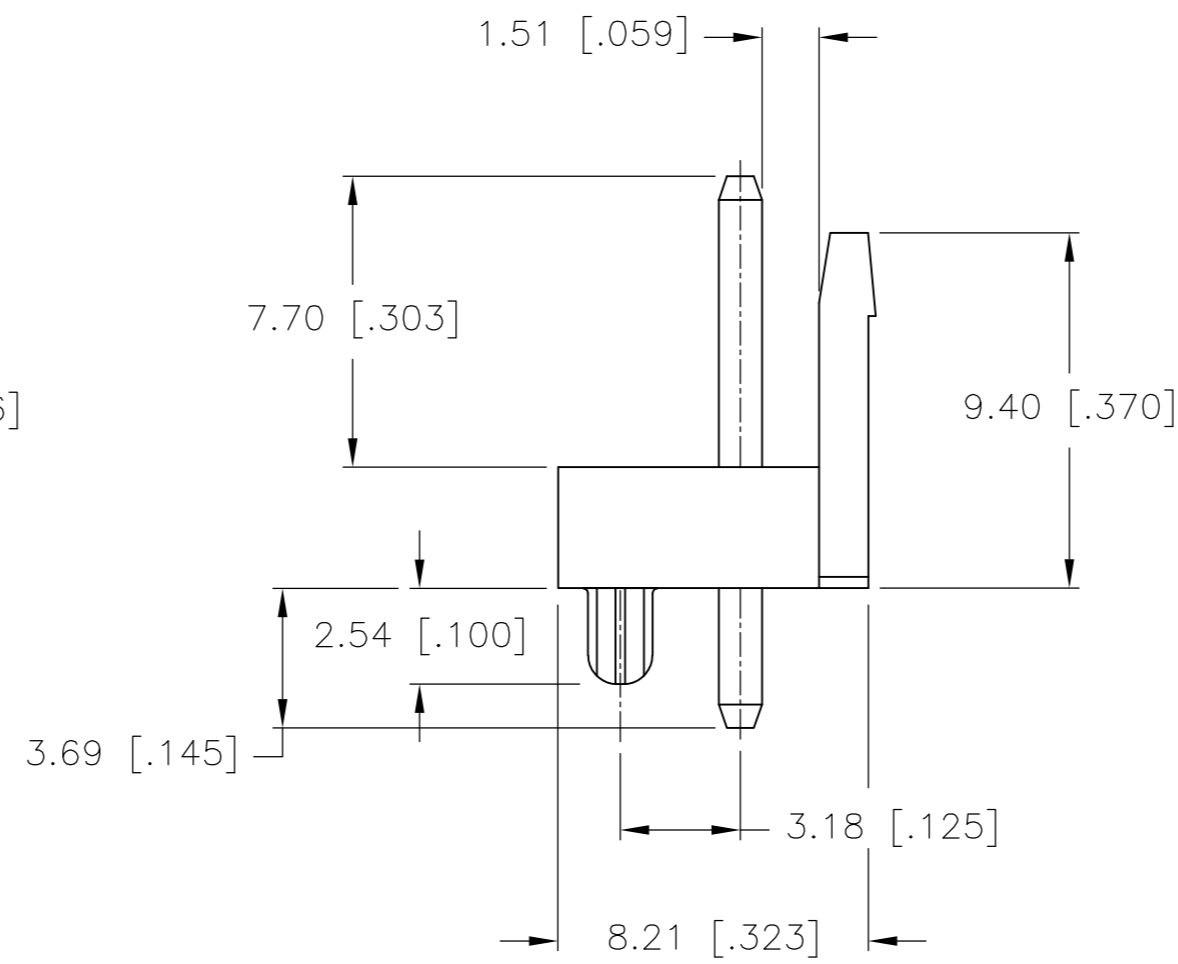
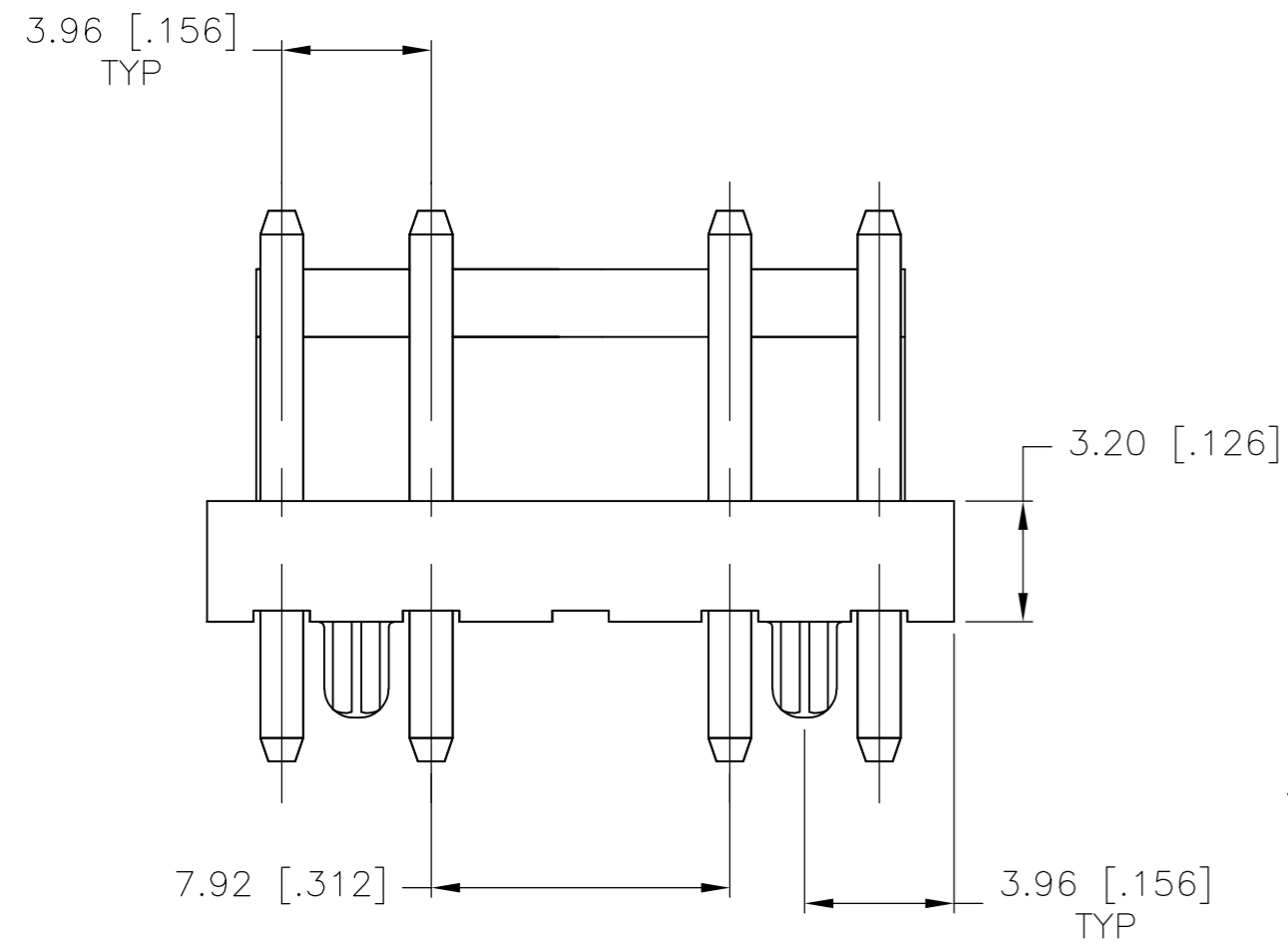


THIS DRAWING IS UNPUBLISHED. RELEASED FOR PUBLICATION
 © COPYRIGHT BY TYCO ELECTRONICS CORPORATION. ALL INTERNATIONAL RIGHTS RESERVED.

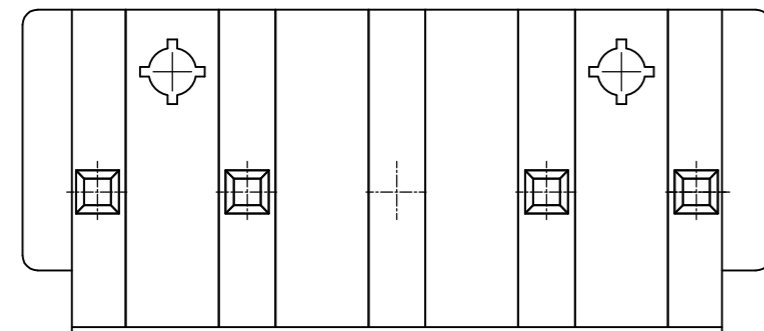
LOC		DIST		REVISIONS			
P	LTR	DESCRIPTION		DATE	DWN	APVD	
		GP 00					
D		REVISED PER ECO-09-017647		29OCT2009	CR	CR	



RECOMMENDED MOUNTING HOLE PATTERN FOR 1.6 [.063] THICK PC BOARD



- 1 HOUSING MATERIAL: NYLON 66 UL94V-0.
- 2 CONTACT MATERIAL: BRASS
- 3 CONTACT PLATING: 0.003[.000120] MIN TIN OVER 0.001[.000039] MIN NICKEL.



3	RED	1744291-5
3	NATURAL	1744291-1
POST OMITTED	COLOR	PART NUMBER

THIS DRAWING IS A CONTROLLED DOCUMENT.		DWN K. WHITAKER 20DEC2007	Tyco Electronics Corporation Harrisburg, PA 17105-3608	
DIMENSIONS: mm [INCHES]		CHK S. RIDGILL 20DEC2007	NAME S. RIDGILL 20DEC2007	
TOLERANCES UNLESS OTHERWISE SPECIFIED:		APVD S. RIDGILL 20DEC2007	PRODUCT SPEC	
0 PLC ±		APPLICATION SPEC		
1 PLC ±		WEIGHT		
2 PLC ±		CUSTOMER DRAWING		
3 PLC ± 0.13 [.005]		SIZE A2	CAGE CODE 00779	DRAWING NO 1744291
4 PLC ±		RESTRICTED TO		
ANGLES ±		SCALE 5:1		
FINISH		SHEET 1 of 1		
SEE NOTES		REV D		

METRIC